

# TECHNICAL CHARACTERISTICS

## 1. General Characteristics

Dimension: 13.28L x 13.70W x 2.60H mm  
Weight: Approx. 0.38 g

Contact principle: Friction technology

Operating position: Shaft up / Down / Horizontal

Mounting System: SMT Type (without post)

Durability: 5,000 cycles min.

## 2. Mechanical Characteristics

Insulation material: Thermoplastic, UL 94V-0

RoHS Directive 2002/95/EC Compliant

## 3. Electrical Characteristics

Number of contacts: 6 pin

Contact resistance: 50 mΩ typical, 100 mΩ max.

Insulation resistance: >1000 MΩ / 500 VDC

## 4. Solderability

Wave: Not applicable

IR reflow: 260 °C, 10 sec. Max.

Manual soldering: 360 °C, 3 sec. Max.

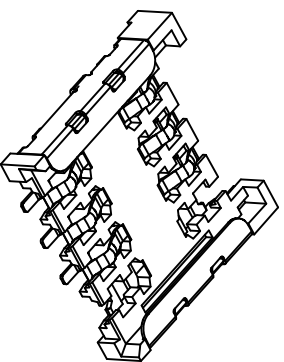
## 5. Environmental Characteristics

Operating temperature: -40° C ~ +85° C

Operating humidity: 10 % ~ 95 % RH

Storage temperature: -40° C ~ +85° C

Storage humidity: 10 % ~ 95 % RH



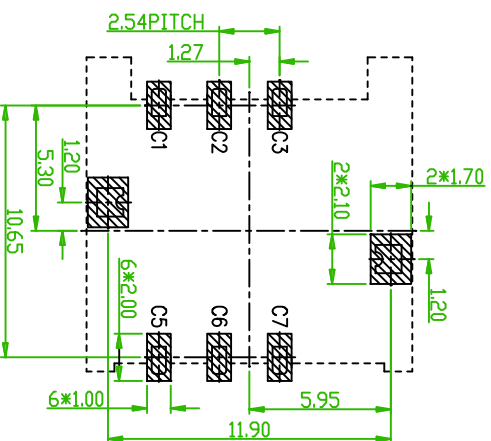
# ORDER INFORMATION

M S I M C 0 1 - 2 6 0 6 G B - U

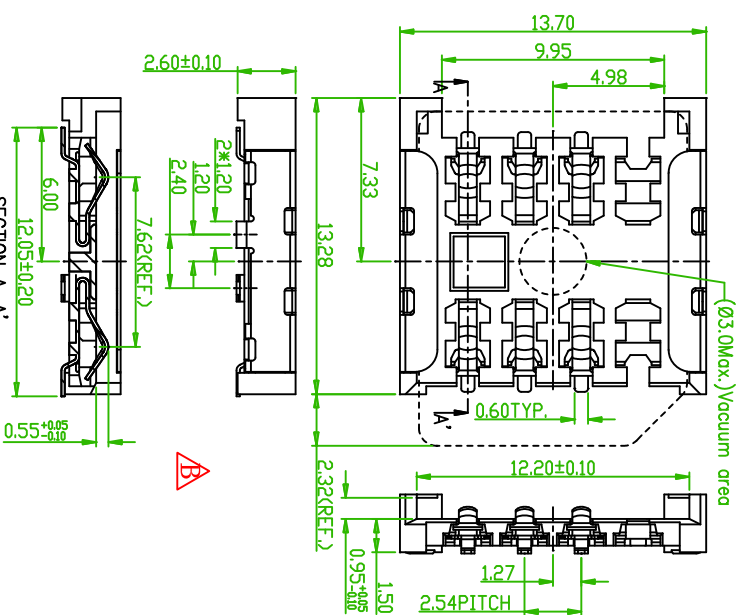
◎:Standard Recommend

26:Plastic Height H=2.6mm

U:RoHS + LCP




Unit: mm; Tolerances: ±0.05 mm  
Reference dimension for PCB layout



Unit: mm; Tolerances: ±0.15 mm  
Mechanical outline dimension

AREA	REV.	DESCRIPTION
B		Revised the Drawing


**禮德企業有限公司**  
 Amitek Technology Co., Ltd.  
 TEL:886-2-2268-8036  
 FAX:886-2-2268-8035

品名 TITLE	品號 PART NO.	圖號 DRAWING NO.	客戶品號 CUSTOMER P/N	公差 TOLERANCE	單位 UNIT	日期 DATE	繪圖 DRAWN	核對 CHECKED	核准 APPROVED
Micro SIM Card	MSIMC01-2606GB-U	MSIMC01-2606GB-U		.X ±0.20 .XX ±0.15	B	2010/11/18	Simmys	Debby	James
版本 REV.	比例 SCALE	核對 CHECKED	核准 APPROVED						
B	FREE	Debby	James						